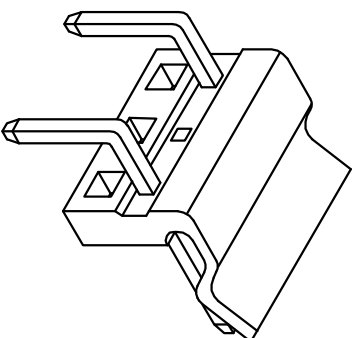
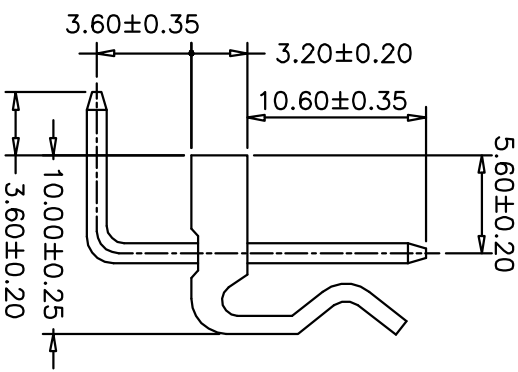
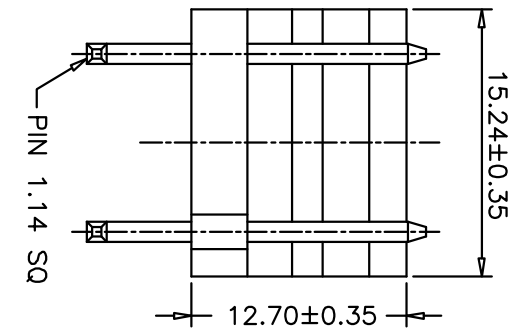


P.C.B LAYOUT

**SPECIFICATIONS**  
 Voltage Rating: 250V AC/DC  
 Current Rating: 7A AC/DC  
 Withstanding Voltage: 1500V AC/minute  
 Insulation Resistance: 1000MΩ min.  
 Temperature Range: -25° C - +85° C  
 Contact Resistance: 20mΩ max

**WAFFER**  
 Part No: SCT5080WR-03P(K,2)  
 Material: Nylon 66, UL94V-2  
 Pin: Brass, Tin plated



OPERATION		DRAW		SCALE		森康达电子有限公司 SCONDAR ELECTRONIC LIMITED	
~ 10	±0.15	DESIGN	JUDY	UNIT	mm		
20 ~ 30	±0.30	CHECK	MICKY	SIZE	A4	PART NO.	SCT5080WR-03P(K,2)
30 ~	±0.50	APPROVE	HELLEN	SHEET	1/1	TITLE:	MX5.08 90C WAFER
Angle	± 2'	APPROVE	HELLEN	PROJ.	◆	DRAWING NO.	SCT5080
DIM	TOL	DATE	2007.05.09	PROJ.	◆	DRAWING NO.	SCT5080
CHANGE	APPROVE	DATE	2007.05.09	PROJ.	◆	DRAWING NO.	SCT5080
MODIFICATION	DESCRIPTION	DATE	2007.05.09	PROJ.	◆	DRAWING NO.	SCT5080
NEW		05/12/27		PROJ.	◆	DRAWING NO.	SCT5080